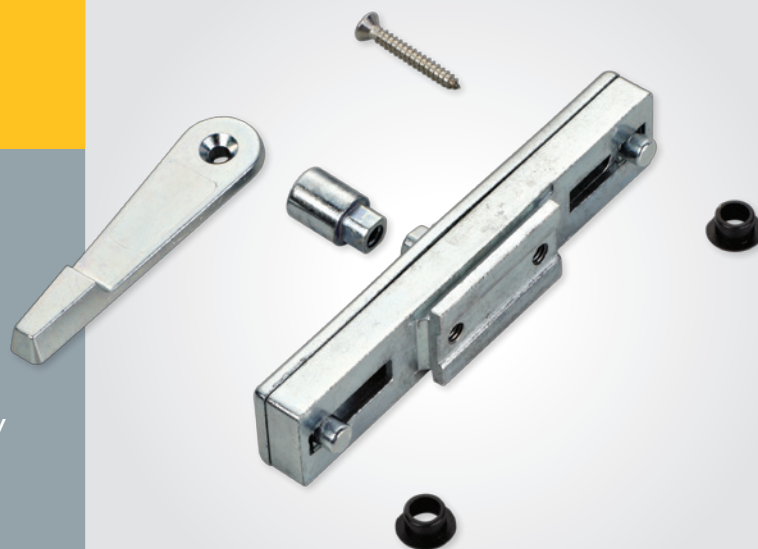


TWO-WAY ROD FOR SECONDARY LEAF

for Euro-groove profiles

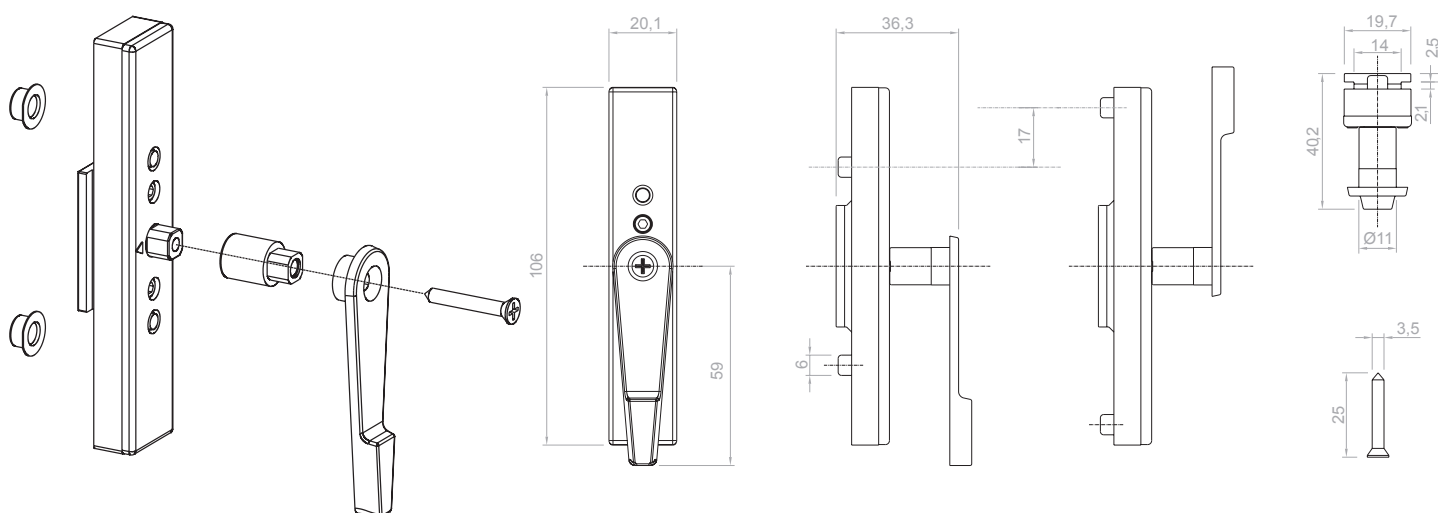
MAIN CHARACTERISTICS:

- two-way movement mechanism with 17-mm travel;
- can be used together with standard corner drives and/or rod terminals;
- allows multi-point closing on secondary leaves without obstructing the grooves of the reverser profile;
- can also be adapted to profiles with a single groove on the reverser/overlap;



1537

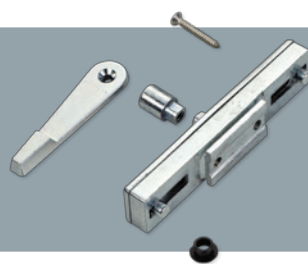
TECHNICAL DRAWINGS



ARTICLE	NAME	DESCRIPTION	STANDARD FINISHES	PCS./PACK.
1537		Two-way bolt Body in white galvanized zamak No. 1 self-tapping countersunk oval head screw in nickel-plated steel 3.5 x 25 No. 2 grub screws in stainless steel M5 x 7.5 No. 2 nylon bushings 6/8 mm		20

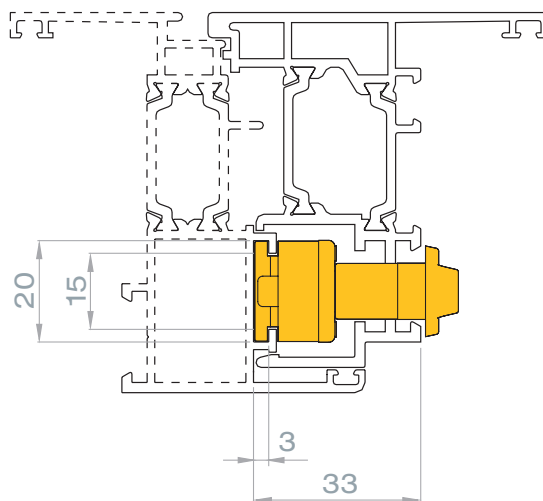
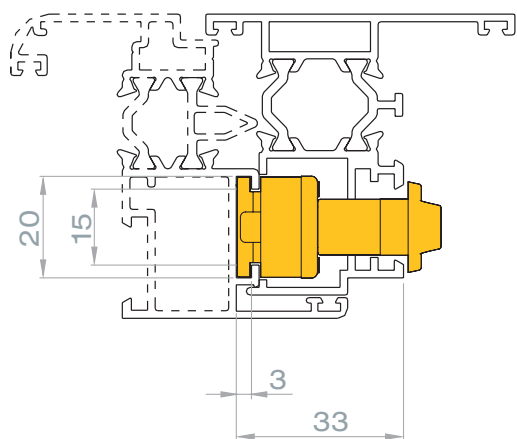
TWO-WAY ROD FOR SECONDARY LEAF

for Euro-groove profiles

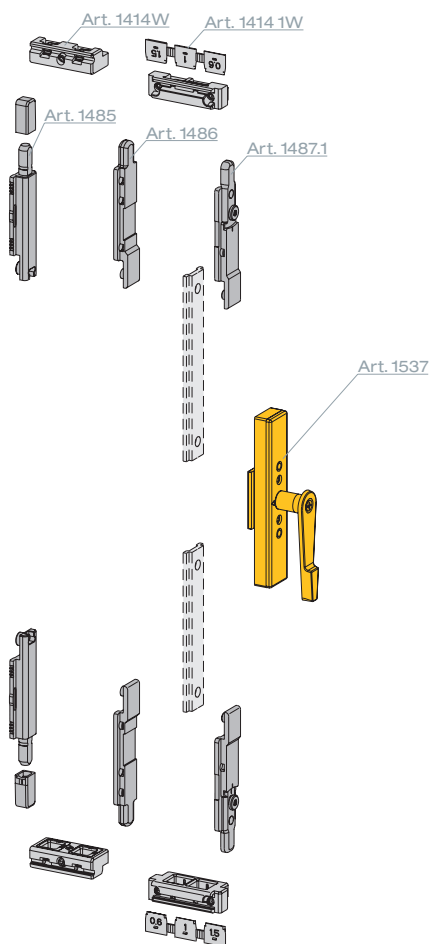


1537

ASSEMBLY ON PROFILES



ASSEMBLY WITH ROD TERMINALS



ASSEMBLY WITH CORNER DRIVES

